

FCF8-20-01-L-03.00-S

FCF8-10-01-L-03.00-S



FCS8-20-01-L-S-A-TR

FCS8-10-01-L-S-A-TR

**FCF8, FCS8 SERIES**

**(0.80 mm) .0315"**

# HIGH SPEED COST EFFECTIVE COAX CABLE

## SPECIFICATIONS

For complete specifications see [www.samtec.com?FCF8](http://www.samtec.com?FCF8)

**Cable:** 38 AWG coax  
**Overmold:** Nylon  
**Terminal Material:** Phosphor Bronze  
**Contact Plating:** Au or Sn over 50µ" (1.27 µm) Ni  
**Operating Temp Range:** -25°C to +105°C  
**Current Rating:** 1.8 A per pin  
 (1 pin powered per row)  
**RoHS Compliant:** Yes

## RECOGNITIONS

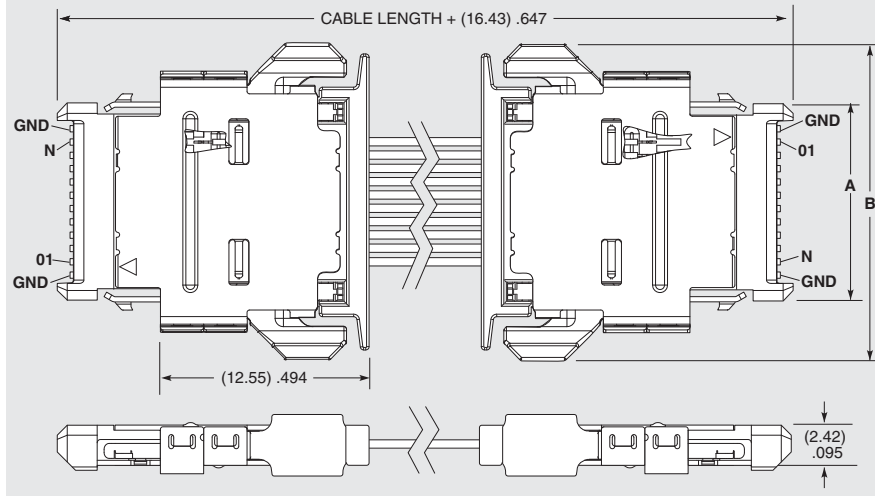
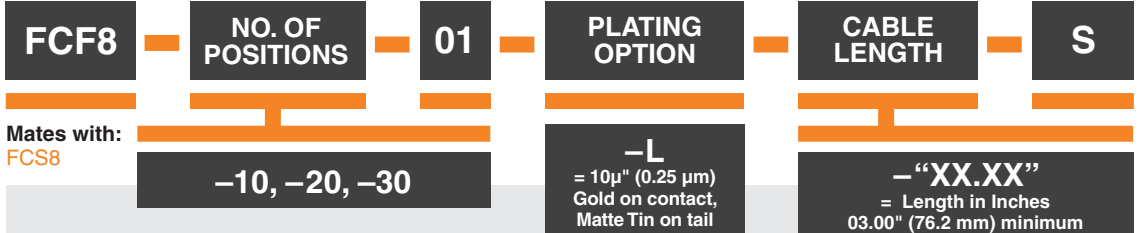
For complete scope of recognitions see [www.samtec.com/quality](http://www.samtec.com/quality)



**Note:** Design your High Speed Cable with Samtec's High Speed Cable Solutionator® at [www.samtec.com/hdr](http://www.samtec.com/hdr)

**Note:** Cable lengths longer than 40.00" (1 meter) are not supported with S.I. test data.

**Note:** Some lengths, styles and options are non-standard, non-returnable.



NO. OF POSITIONS	A	B
-10	(11.85) .467	(19.00) .748
-20	(19.85) .781	(27.00) 1.063
-30	(27.85) 1.096	(35.00) 1.378

**ALSO AVAILABLE (MOV Required)**

- Other sizes and lengths Contact Samtec.

## SPECIFICATIONS

For complete specifications and recommended PCB layouts see [www.samtec.com?FCS8](http://www.samtec.com?FCS8)

**Insulator Material:** Black LCP  
**Contact Material:** BeCu  
**Contact Plating:** Au or Sn over 50µ" (1.27 µm) Ni  
**Shield:** Nickel Plated Phosphor Bronze  
**Operating Temp Range:** -55°C to +125°C  
**Current Rating:** 1.8 A per pin  
 (1 pin powered per row)  
**RoHS Compliant:** Yes

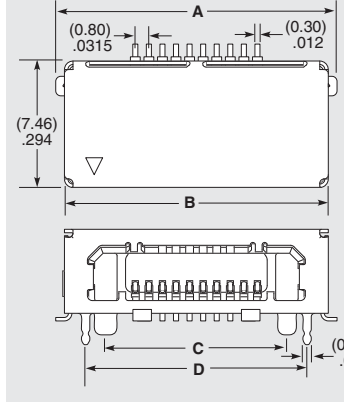
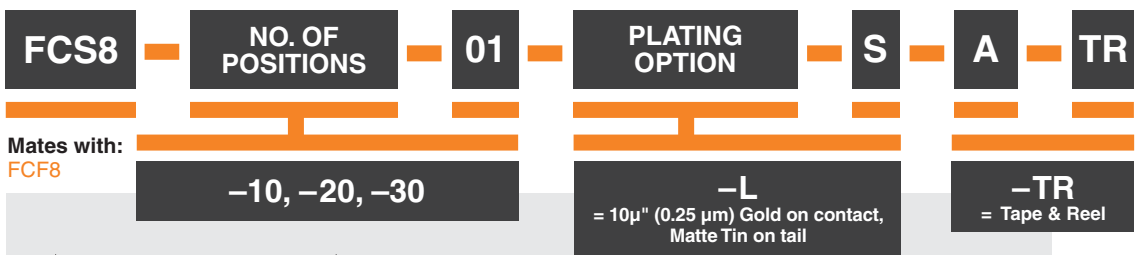
**Processing:**  
**Lead-Free Solderable:** Yes  
**SMT Lead Coplanarity:** (0.15 mm) .006" max

## RECOGNITIONS

For complete scope of recognitions see [www.samtec.com/quality](http://www.samtec.com/quality)



**Note:** Some lengths, styles and options are non-standard, non-returnable.



NO. OF POSITIONS	A	B	C	D
-10	(16.59) .653	(15.56) .613	(10.70) .421	(13.06) .514
-20	(24.59) .968	(23.56) .928	(18.70) .736	(21.06) .829
-30	(32.59) 1.283	(31.56) 1.243	(26.70) 1.051	(29.06) 1.144

**RUGGEDIZED**  
BY SAMTEC

- Weld tabs
- Positive latching
- Shielded for EMI protection